

# Limit Switch

---

**HER**



## APPLICATION

The Kiepe limit switch HER made of aluminum alloy has been designed for a maximum of safe operation under severe conditions to become installed in any bulk handling system (e.g. in open pit mines). All external parts are either of stainless steel or have been specially plated. The trip points – both preset at 10° – can be adjusted between 5° and 35°.

The roller lever with ball bearing is infinitely adjustable on the shaft. The positive making switching elements are cam operated. The self-cleaning of the contacts by mechanical grinding allows the use in low voltage applications (PLC- or BUS-control)

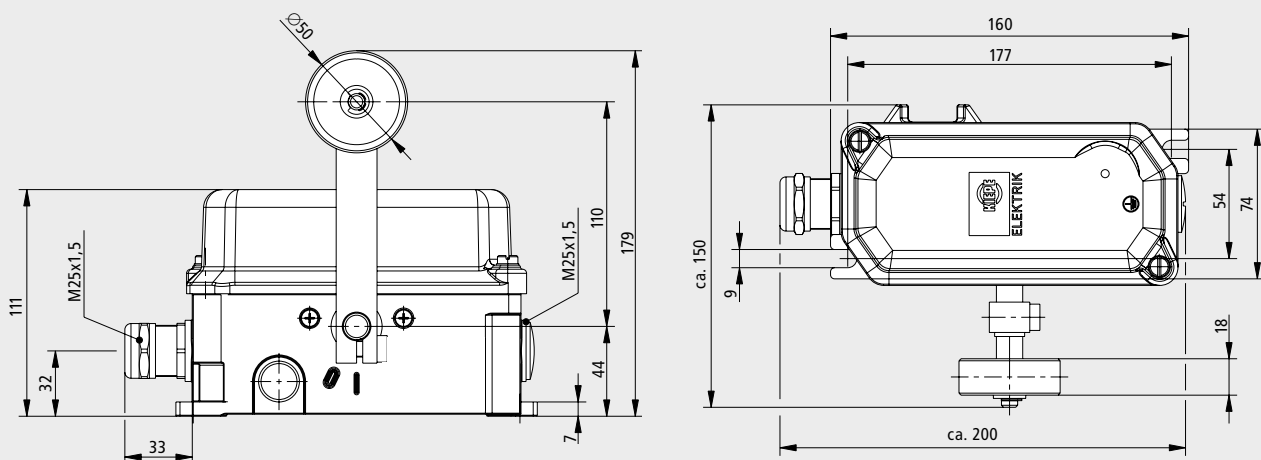
## TECHNICAL DATA

Device complies with	EN 60947-5-1 EN 60204 VDE 0110 - Degree of Pollution 2
Suited for	Control units and systems in accordance with DIN EN 60204
Enclosure	Aluminium alloy, GK-ALSi12
Actuating roller lever	Roller: CuZn39Pb3, lever: AlMgSi1
Finish	2-component DD-tile enamel yellow, RAL 1004
Fastening	2 oblong holes for M8-bolts
Cable entry	2 x M25 x 1,5
Protection rating	IP 67 according to EN 60529
Rated insulation voltage $U_i$	AC 230 V, DC 230 V
Protective Conductor Connection	Within enclosure, M5
Admissible ambient temperature <sup>1)</sup>	-25 °C ... +70 °C
Extended ambient temperature	-40 °C ... +70 °C (Type 7xx)
Switching elements	Snap acting switches, positive making and self cleaning
Conventional thermal current $I_{th}$	6 A
Utilization category $I_e/U_e$	AC-15: 230 V / 1,5 V DC-13: 24 V / 2 A
Connection cross section	2,5 mm <sup>2</sup>
Contact reliability	> 30.000 operations
Mechanical lifecycle	> 10.000 actuations
Excursion	75° max.
Installation position	horizontal preferred horizontal preferred
Ordering code	92.064 544.606 92.064 544.706 (-40 °C ... +70 °C)

<sup>1)</sup> Deviating ambient temperature upon request

Note: The devices may be used in control circuits only!

## DIMENSIONS



Subject to change without notice.

**Vossloh Kiepe GmbH**

40599 Düsseldorf (Germany) · Kiepe-Platz 1  
Phone +49(0)211 74 97-0 · Fax +49(0)211 74 97-420  
info@kiepe-elektrik.com · www.kiepe-elektrik.com

447/3-03/13